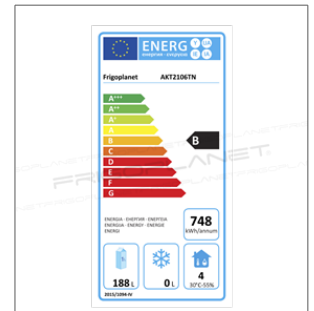
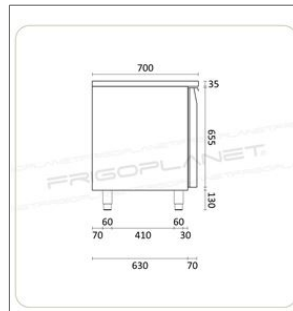
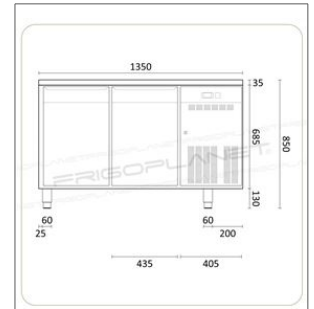


AKT2106TN

Ventilated refrigerated GNI/1 counter with 2 doors



- Stainless steel external and internal structure
- Ventilated refrigeration with incorporated refrigeration unit
- Ducted ventilation
- Digital control unit
- Extractable refrigeration monoblock unit
- Anticorrosion treated evaporator
- Door frame with thermal break
- Automatic defrost
- Automatic condensation evaporation
- 70 mm insulation thickness
- Easily removable magnetic gaskets
- Internal rounded edges
- Service compartment with key lock
- External bottom and back panels in galvanized steel
- Adjustable stainless steel feet
- Equipped with 2 GNI/1 shelves
- 4 casters kit (2 of which with brake) model RBA7 available on request
- 2 drawers kit (model SET2-6) available on request
- 3 drawers kit (model SET3-6) available on request

TECHNICAL FEATURES

MODEL	AKT2106TN
ENERGY CLASS	B (2015/1094/UE)
CLIMATE CLASS	4
POWER WATT	250
POWER SUPPLY	230/1N/50
TEMPERATURE °C	0 ÷ +8
REFRIGERANT	R290
MAX. TEMP. / HUMIDITY	+40 °C / 60% HR
DIMENSIONS MM	1350x700x850h
INTERNAL DIMENSIONS MM	830x550x575h
CAPACITY L	262
SHELVES NO. AND TYPE	2 x GNI/1
NET WEIGHT KG	74
GROSS WEIGHT KG	84
PACKING DIMENSIONS CM	140x72x88h