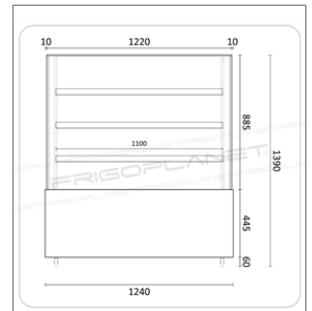


VELVET 1240B

Refrigerated pastry display



- Steel, glass and plastic external and internal structure
- Base in black painted steel
- Ventilated refrigeration
- Incorporated refrigeration unit
- Digital control unit
- Automatic defrost
- Automatic condensation evaporation
- Double glazed on each side
- Anti-fog ventilation ducts for side and front external glasses
- Removable sliding doors
- Height-adjustable shelves
- Internal LED lighting on each shelf
- Swivel casters (2 with brake)
- Equipped with 1 1100x310 mm removable glass shelf and 2 1100x370 mm removable glass shelves
- 1140x370 mm bottom chamber removable glass

TECHNICAL FEATURES

MODEL	VELVET 1240B
ENERGY CLASS	B (2019/2018/UE)
POWER WATT	490
POWER SUPPLY	230/1N/50
TEMPERATURE °C	+2 ÷ +8
REFRIGERANT	R290
MAX. TEMP. / HUMIDITY	+30 °C / 55% HR
DIMENSIONS MM	1240x688x1390h
SHELVES NO. AND TYPE	1 x 1100x310 mm 2 x 1100x370 mm Bottom 1140x370 mm
CAPACITY L	530
NET WEIGHT KG	195
GROSS WEIGHT KG	229
PACKING DIMENSIONS CM	131x76x153h